

Static pulveriser – JRSP
Rotating pulveriser – JRRP
Demolition crusher – JRDC

PRELIMINARY



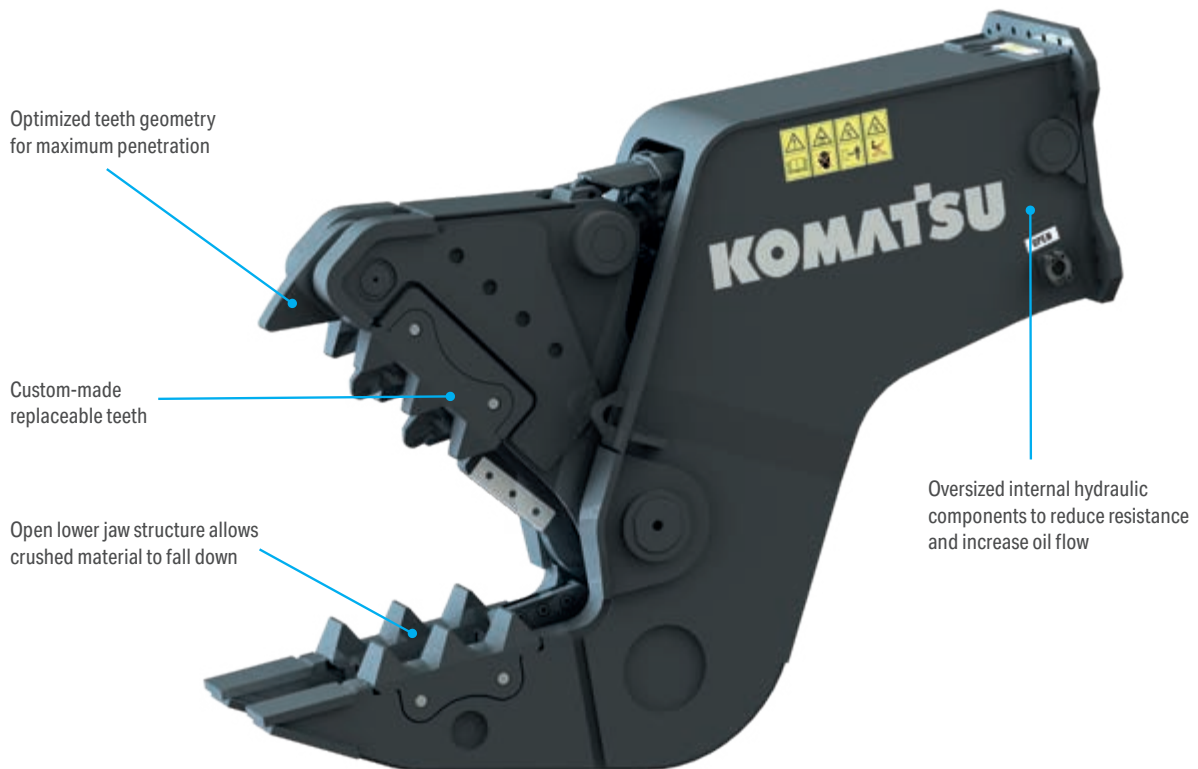
Demolition attachments

Weight
1950 - 4800 kg

Machine class
15 - 70 tonnes

Komatsu carriers
PC170 - PC700

A reliable tool designed for primary and secondary demolition



Strenx® 960 body

The main body of each tool is made out of Strenx® 960, providing exceptional strength, resilience, and performance under the toughest working conditions. Combined with Hardox® protection plates on the jaws, the attachments offer unmatched durability, extended service life, and superior protection for the equipment.

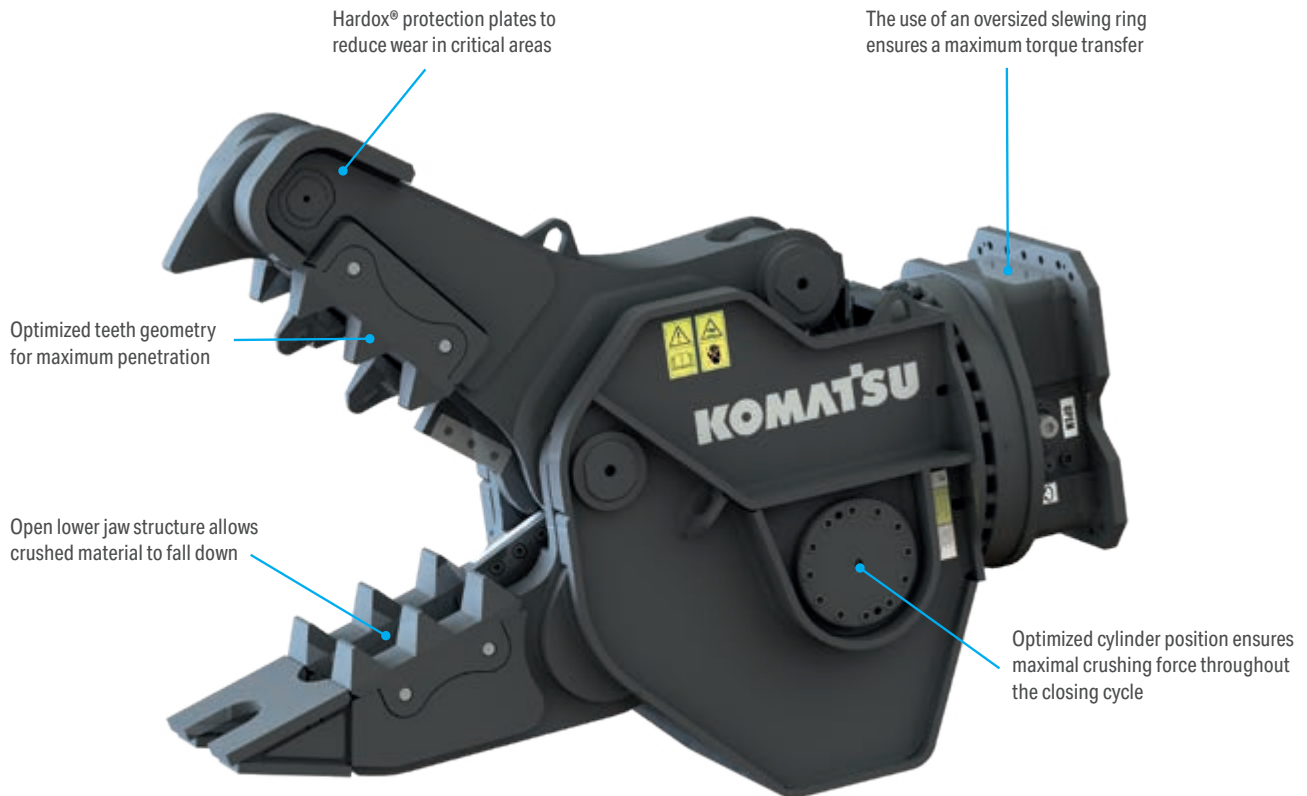


Speed valve

The speed valve significantly boosts the operational speed of the attachment by automatically switching from speed to power mode. This means short cycle times during critical operations like crushing and cutting, improving efficiency and allowing operators to complete more work in less time.

Optimized teeth geometry

The optimized teeth geometry ensures maximum penetration and powerful performance when crushing materials. The strategic placement of the teeth increases overall productivity by enabling faster material processing. By positioning the front tooth all the way at the front, it becomes easy to pick up and efficiently grab materials, even in challenging conditions.



Oversized slewing ring

The rotating pulveriser and demolition crusher are equipped with an oversized slewing ring featuring two internally mounted hydraulic motors, providing exceptional stability and durability during rotation. This design ensures smooth, continuous rotation even under heavy load conditions, allowing for precise positioning and optimal control.

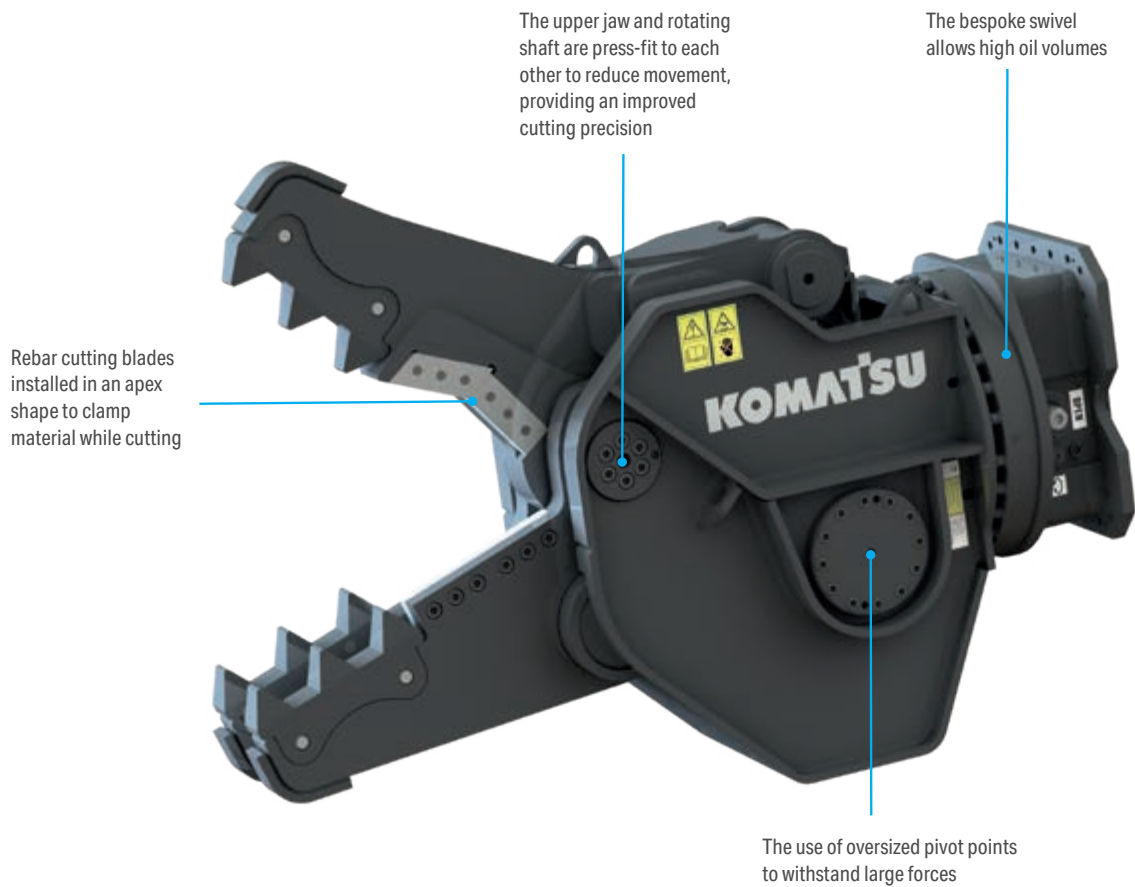
Optimized cylinder position

The optimized cylinder position ensures that the hydraulic force is applied where it's most needed, maximizing efficiency and performance. Whether you're dealing with reinforced concrete, steel rebar, or other hard-to-handle materials, the optimal cylinder position enables superior crushing and cutting force.

Rebar cutting blades

The large, reversible rebar cutting blades are made of a specially engineered high-grade steel alloy to achieve smooth and efficient cutting through rebar. The design reduces stress on the equipment and minimizes wear on the cutting blades.

Demolition attachments



Service-friendly

The attachments are designed with a service-friendly approach, making maintenance and repairs quick and easy. Each model is equipped with a service cover that provides easy access to key components, allowing to perform regular checks, repairs, and part replacements with minimal downtime.

Premium components

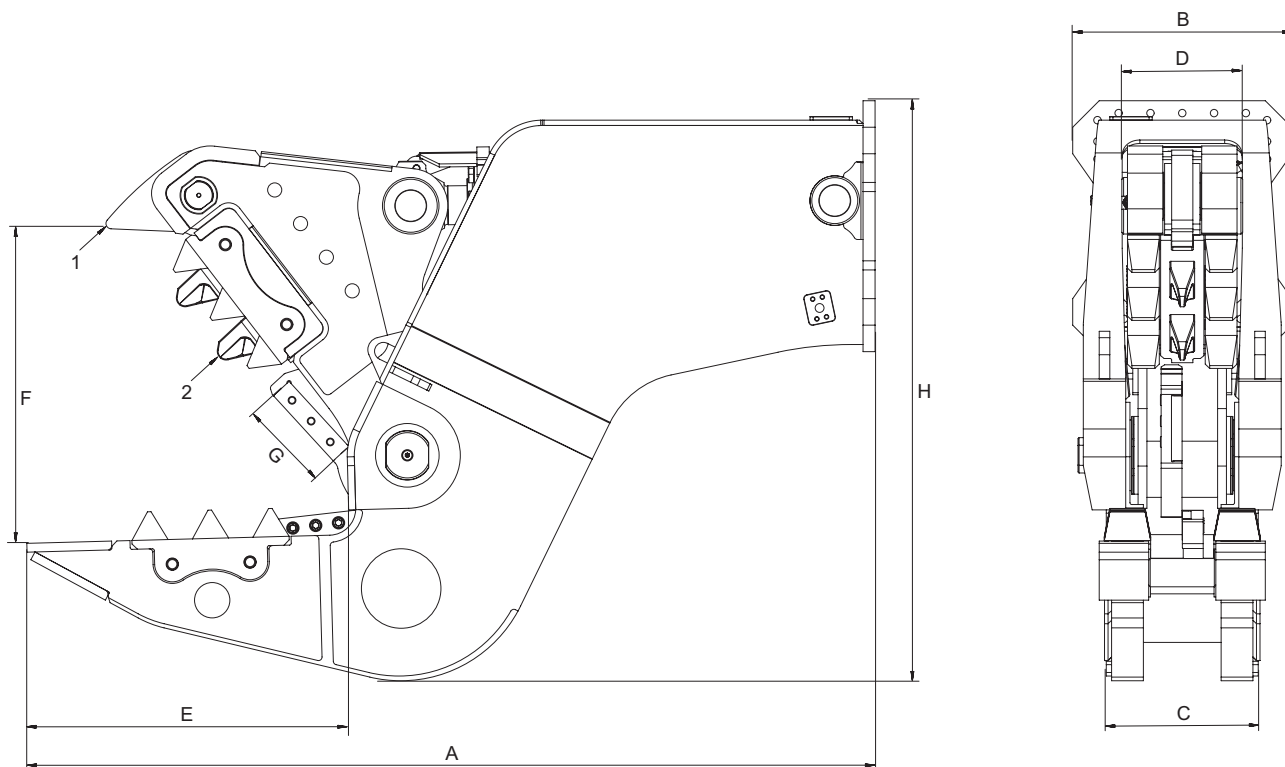
Only premium components are used on the attachments, ensuring superior performance, reliability, and durability in even the toughest working conditions. As a result, downtime is minimized, maintenance costs are reduced, and productivity is maximized, making these attachments a smart investment for long-term efficiency and reliability.



Available with an integrated adapter

Both the rotating pulveriser and demolition crusher are available with integrated FHQC adapters, available for Lehnhoff Variolock, Oilquick and Open-S, saving weight and build height whilst avoiding external hoses, allowing to tackle even bigger jobs with complete peace of mind.

Static pulveriser – JRSP



Model JRSP		210-1	290-1	360-1	490-1
Machine class	t	16 - 25	20 - 30	25 - 35	32 - 60
Weight *	kg	1950	2350	3170	4500
Cycle open/close	s	2.2 - 1.0	2.3 - 1.4	3.4 - 1.9	4.3 - 2.9
Closing force at position 1	t	62	70	80	115
Closing force at position 2	t	93	105	127	155

Hydraulics

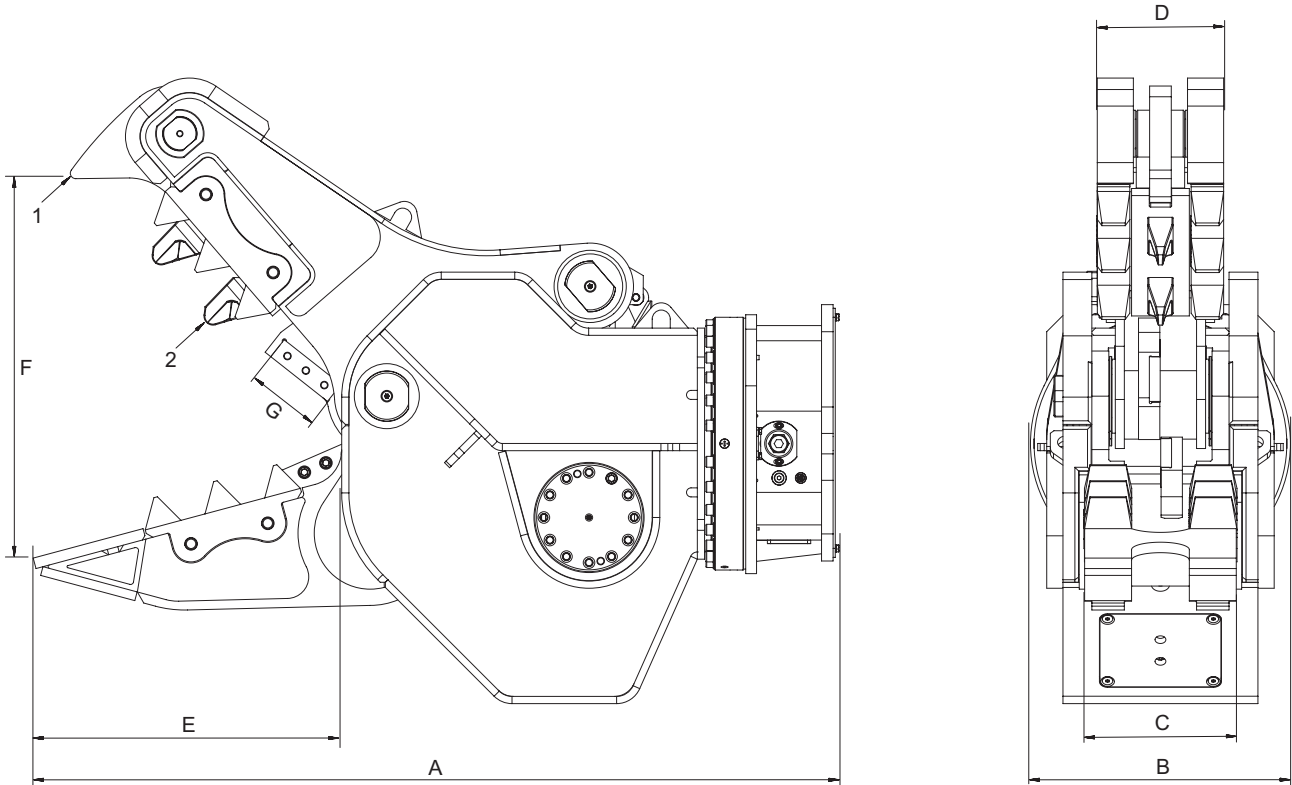
Opening/closing pressure max.	MPa	35	35	35	35
Opening/closing oil volume	l/min	150 - 225	150 - 250	150 - 250	250 - 350

Dimensions

A	mm	2290	2400	2710	3150
B	mm	620	620	620	620
C	mm	400	440	480	550
D	mm	310	310	400	470
E	mm	865	915	960	1155
F	mm	850	920	1115	1230
G	mm	200	250	250	300
H	mm	1640	1640	1700	1990

* Weight excl. bracket and hoses

Rotating pulveriser – JRRP



Model JRRP		210-1	290-1	360-1	490-1
Machine class	t	15 - 25	22 - 35	32 - 50	45 - 70
Weight*	kg	2100	2765	3300	4800
Cycle open/close	s	1.9 - 1.2	2.0 - 1.9	2.2 - 2.4	2.6 - 2.8
Closing force at position 1	t	62	70	95	105
Closing force at position 2	t	100	107	152	215

Hydraulics

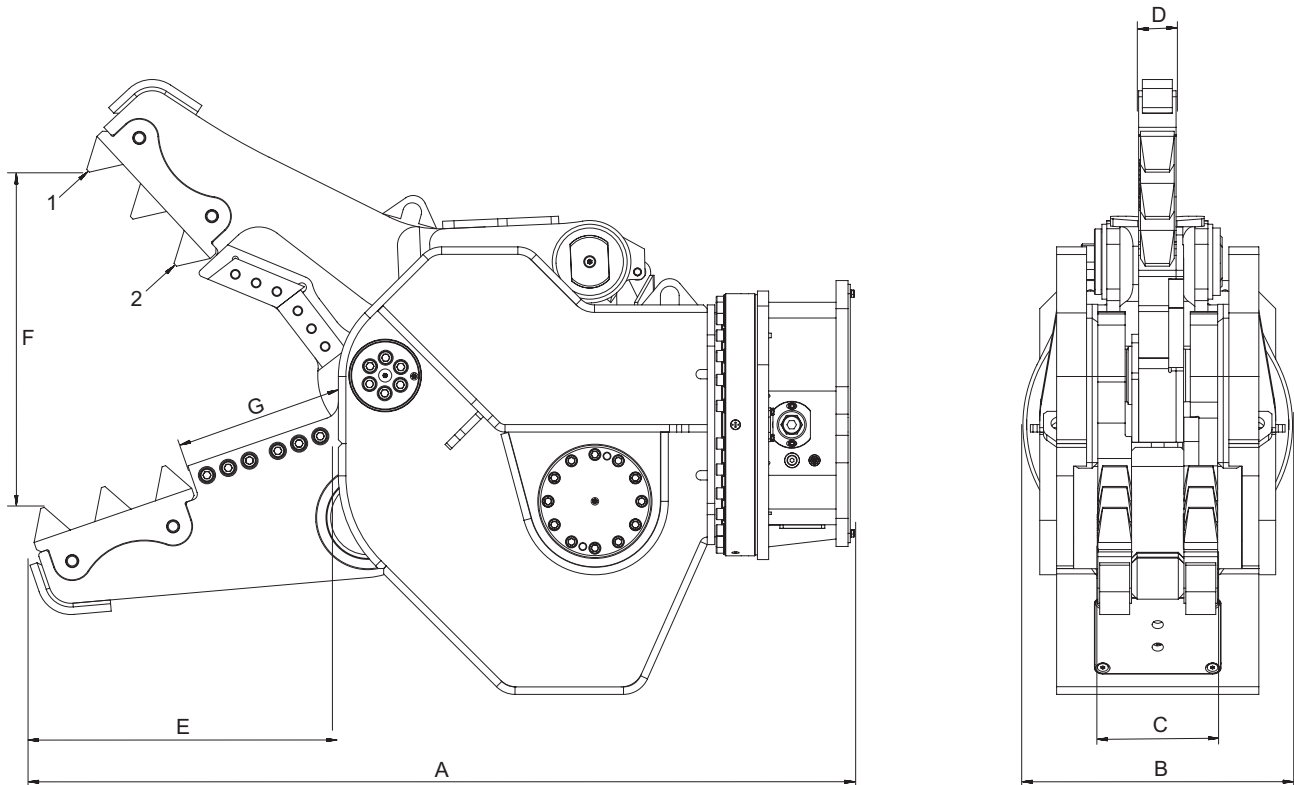
Opening/closing pressure max.	MPa	35	35	35	38
Opening/closing oil volume	l/min	150 - 250	150 - 250	250 - 300	250 - 300
Opening/closing pressure max.	MPa	17	17	17	17
Opening/closing oil volume	l/min	40 - 60	40 - 60	40 - 60	40 - 60
Number of hydraulic motors		2	2	2	2

Dimensions

A	mm	2012	2215	2385	2590
B	mm	720	720	720	880
C	mm	390	420	480	550
D	mm	310	350	398	470
E	mm	750	855	880	960
F	mm	900	1050	1090	1350
G	mm	200	200	200	300

* Weight excl. bracket and hoses

Demolition crusher – JRDC



Model JRDC		210-1	290-1	360-1	490-1
Machine class	t	15 - 25	24 - 35	30 - 45	45 - 70
Weight *	kg	1950	2670	3050	4100
Cycle open/close	s	1.9 - 1.2	2.0 - 1.9	2.5 - 2.8	2.6 - 2.8
Closing force at position 1	t	63	68	85	102
Closing force at position 2	t	80	100	125	140

Hydraulics

Opening/closing pressure max.	MPa	35	35	35	35
Opening/closing oil volume	l/min	150 - 250	150 - 250	250 - 300	250 - 350
Opening/closing pressure max.	MPa	17	17	17	17
Opening/closing oil volume	l/min	40 - 60	40 - 60	40 - 60	40 - 60
Number of hydraulic motors		2	2	2	2

Dimensions

A	mm	1930	2185	2428	2640
B	mm	720	720	720	880
C	mm	280	320	320	335
D	mm	90	100	100	100
E	mm	670	825	925	1035
F	mm	700	900	955	1200
G	mm	400	400	500	600

* Weight excl. bracket and hoses

Matching table

Model	Static pulveriser – JRSP				Rotating pulveriser – JRRP				Demolition crusher – JRDC			
	210-1	290-1	360-1	490-1	210-1	290-1	360-1	490-1	210-1	290-1	360-1	490-1
Komatsu carrier (standard machine)*												
PW148	✓				✓				✓			
PW158	✓				✓				✓			
PW160	✓				✓				✓			
PW168	✓				✓				✓			
PW180	✓				✓				✓			
PW198	✓				✓				✓			
PC170	✓				✓				✓			
PC210	✓				✓				✓			
PC228	✓				✓				✓			
PC230	✓								✓			
PC240	✓	✓			✓	✓			✓	✓		
PC290		✓	✓			✓				✓	✓	
PC360			✓	✓		✓	✓			✓	✓	
HB365			✓	✓		✓	✓			✓	✓	
PC490				✓			✓	✓				✓
PC700							✓					✓
Komatsu carrier (demolition machine)*												
PC210LCD	✓				✓				✓			
PC240LCD/NLCD	✓	✓			✓	✓			✓	✓		
PC290LCD/NLCD		✓	✓			✓				✓	✓	
PC360LCD/NLCD			✓			✓	✓			✓	✓	
PC490LCD				✓			✓	✓				✓
Komatsu carrier (HRD machine)*												
PC390HRD – Excavation boom			✓			✓	✓			✓	✓	
PC390HRD – Medium reach demolition			✓			✓	✓			✓	✓	
PC390HRD – High reach demolition	✓	✓			✓	✓**			✓	✓	✓**	
PC390HRD – Extended high reach demolition	✓**				✓**				✓**			
PC490HRD – Excavation boom							✓					
PC490HRD – Medium reach demolition							✓					
PC490HRD – High reach demolition		✓				✓**				✓	✓**	
PC490HRD – Extended high reach demolition K100	✓**				✓**				✓**			

*Confirm the lifting capacity for each individual combination. Some limitations may apply.

** Pin-on adapter only

Notizen
