

# KOMATSU

## PC20 Electric

PRELIMINARY



Mini-excavator

**ELECTRIC**

**Motor power**  
11.8 kW

**Operating weight**  
2110 kg

**Bucket capacity**  
0.02 - 0.03 m<sup>3</sup>

## PC20 Electric



Motor power  
**11.8 kW**

Operating weight  
**2110 kg**

Bucket capacity  
**0.02 - 0.03 m<sup>3</sup>**

# Industry leading characteristics providing unrivalled customer value

## Powerful electric system

- Electric Komatsu powertrain
- 11.8 kW Komatsu electric motor
- 23.2 kWh Komatsu battery pack
- Long life battery design
- Fast battery charge (20 to 100%) in 1.8 h with external DC charger (400 V)
- Standard battery charge in 6.2 h with on-board AC charger (230 V)
- High voltage (76.8 V) architecture
- Conventional tail design for maximum stability

## Environmentally friendly

- Zero local emissions
- Optimal for indoor use or to work outside of standard working hours
- Participate in low-carbon projects
- Support customers' environmental obligations
- Significantly lower noise and vibration levels (vs. PC20R-5)
- CO<sub>2</sub> reduction equivalent of its own weight (vs. PC20R-5 over 1 year)

## Total versatility

- On-board 230 V AC charger and off-board 400 V fast charger option
- Proportional control for attachments
- Adjustable attachment oil flow (option)
- Possibility to use market compatible hydraulic attachments



On-board 230 V AC charger

## First-class comfort

- Premium comfort operator seat
- Multi-function monitor with redesigned interface for electric excavators
- Charging status information at a glance
- Machine controls are same as Internal Combustion Engine machines (ICE) and offer familiar working behaviour

## Safety first

- Heavy-duty, protected electric components
- High-safety LFP lithium battery design
- ROPS (ISO 3471) / OPG (ISO 10262) level 1 canopy
- LED working lamps
- Dual lock system for PPC controls
- Secondary engine shutdown switch
- Seat belt caution indicator
- ID key (starter key with registered ID)

## Easy maintenance

- Air cooled maintenance-free electric motor and inverter
- Reduced daily check and periodical maintenance items
- Komatsu E-support programme
- New electric powertrain components with a 5 years warranty

## Komtrax

- Komatsu Wireless Monitoring System
- 4G mobile communications
- Includes battery status, charging, power consumption information

# Specifications

## Electric system

System voltage	76.8 V
Battery	
Type	Komatsu Lithium-ion battery pack LFP (Lithium Iron Phosphate) technology
Capacity	23.2 kWh
Charger (external) input	400 V (CEE 63 A)
Charger (on-board) input	230 V

## Electric motor

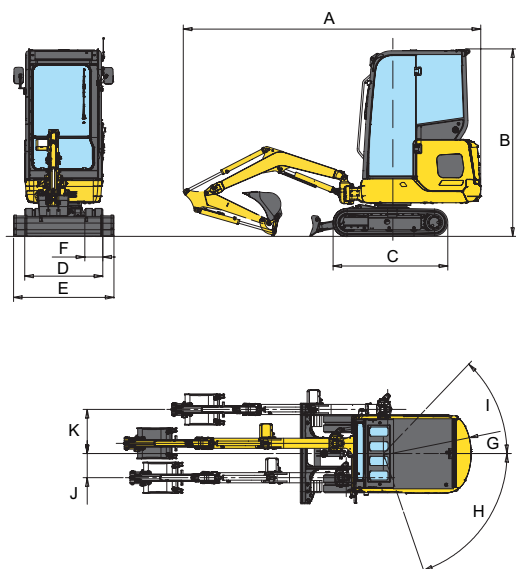
Motor power	11.8 kW
Motor type	Permanent magnet

## Hydraulic system

Type	Komatsu CLSS
Main pumps	1 × variable displacement pump 1 × gear pump
Maximum pump flow	36 l/min
Bucket digging force (ISO 6015)	9.9 kN
Arm crowd force (ISO 6015)	6.3 kN

## Machine dimensions

A Overall length	mm	3845
B Overall height	mm	2370
C Track length	mm	1570
D Track gauge (min)	mm	990
E Track gauge (max)	mm	1280
F Shoe width	mm	230
G Tail swing radius	mm	1120
H/I Boom swing angle	°	74 / 45
J Boom offset LH	mm	310
K Boom offset RH	mm	560



## Undercarriage

Track rollers (each side)	3
Shoe width	230 mm

## Swing system

Swing speed	9.0 rpm
-------------	---------

## Drives and brakes

Steering control	2 levers with pedals giving full independent control of each track
Drive method	Hydrostatic
Max. travel speed	2.2 / 4.2 km/h

## Environment

Engine emissions	Zero
Noise levels	
LwA external	90 dB(A) (2000/14/EC Stage II)
LpA operator ear	76 dB(A) (ISO 6396 dynamic test)
Vibration levels (EN 12096:1997)	
Hand/arm	≤ 2.5 m/s <sup>2</sup> (uncertainty K = 1.33 m/s <sup>2</sup> )
Body	≤ 0.5 m/s <sup>2</sup> (uncertainty K = 0.18 m/s <sup>2</sup> )

## Working range

Arm length	mm	965	1215
a Max. digging height	mm	3570	3800
b Max. dumping height	mm	2560	2760
c Max. digging depth	mm	2100	2370
d Max. vertical wall digging depth	mm	1685	1980
e Max. digging reach	mm	3830	4100
f Max. digging reach at ground level	mm	3760	4030
g Min. swing radius	mm	1415	1515

