

WA170M-11

PRELIMINARY



Wheel loader

Engine power
95.5 kW / 128 HP @ 2000 rpm

Operating weight
9580 - 10575 kg

Bucket capacity
1.5 - 1.7 m³

WA170M-11



Engine power

95.5 kW / 128 HP @ 2000 rpm

Operating weight

9580 - 10575 kg

Bucket capacity

1.5 - 1.7 m³

Safety, reliability & durability

- NEW** • High-definition rear-view camera
- NEW** • Low transportation height
- NEW** • Colored steps
- NEW** • Tie-off points for safe maintenance
- NEW** • Seat belt warning lamp (option)
- Full LED working lights (option)
- Large full fenders front + rear for wide tyres (option)

Power, performance & efficiency

- NEW** • 96 kW EU Stage V engine
- NEW** • Long-life DPF with 6000 h cleaning interval
- NEW** • HVO diesel fuel ready
- NEW** • Tool linkage or Z-bar boom (option)
- NEW** • High efficiency buckets
- NEW** • Load sensing hydraulic
- NEW** • Highly efficient hydrostatic drive line
- NEW** • High flow for 3rd auxiliary circuit (option)
- NEW** • Heavy-duty axles
 - 20 km/h limited hydrostatic driveline (option)
 - 40 km/h limited hydrostatic driveline (option)
 - 4th auxiliary circuit for front or rear (option)



Comfort & operational ease

- NEW** • Remastered cab
- NEW** • Joystick steering system (option)
- NEW** • Air-suspended operator seat and console (standard)
- NEW** • High comfort air-suspended operator seat and console (option)
- NEW** • Heated and adjustable rear-view mirrors (option)
- NEW** • Bucket dump counter (option)
- NEW** • Return-to-dig function (option)
- NEW** • Adjustable auto idle shutdown
- NEW** • Trailer hitch (option)
 - Full digital dashboard
 - High-performance air conditioning
 - Automatic air conditioning (option)
 - Superior interior ergonomics
 - Heated rear window
 - ECSS load stabiliser (option)
 - License plate holder front and rear (option)

Easy maintenance & accessibility

- NEW** • Tiltable cabin
- NEW** • Tiltable engine hood
- NEW** • Front step for windshield cleaning
 - Daily service points easily accessible from ground
 - Wide core radiator
 - Reversible fan (option)
 - Factory fitted automatic lubrication system (option)
 - Komtrax – Komatsu wireless monitoring system

Specifications

Engine

Model	Komatsu SAA4D101E-1WHA
Type	Common rail direct injection, water-cooled, emissionised, turbocharged, after-cooled diesel
Engine power	
at rated engine speed	2000 rpm
ISO 14396	95.5 kW / 128 HP
Max. torque/engine speed	550 Nm / 1500 rpm
No. of cylinders	4
Bore × stroke	101 × 120 mm
Displacement	3.8 l
Air-filter type	Dry air filter with pre-filter and safety cartridge
Fuel	Diesel fuel, conforming to EN590 Class 2/ Grade D. Paraffinic fuel capability (HVO, GTL, BTL), conforming to EN 15940:2016

Transmission

Drive system	Hydrostatic transmission
Hydrostatic pump	1 variable piston pump
Hydrostatic motor	
20 km/h version	1 variable piston motor
40 km/h version	2 variable piston motors
Speed ranges (forwards/backwards)	2/2
Max. travel speeds (forwards/backwards) 20 km/h version	
1. speed range	0 - 7.0 km/h
2. speed range	0 - 20.0 km/h
Creep	0 - 10.0 km/h
Max. travel speeds (forwards/backwards) 40 km/h version	
1. speed range	0 - 15 km/h
2. speed range	0 - 40 km/h
Creep	0 - 10 km/h

Chassis and tyres

Type	Low build rear axle oscillation for optimum stability and for best performance in earthmoving applications
System	4-wheel drive
Axles	Planetary rigid axles with 100% locking differentials in both axles
Oscillation	Rear axle oscillation for optimum stability, oscillation angle 10°
Tyres	17.5 R25

Cabin

Cabin in conformity with ISO 3471 with ROPS (roll over protective structure) in conformity with SAE J1040c and FOPS (falling object protective structure) in conformity with ISO 3449. The pressurised cabin is mounted upon rubber bearings and is noise dampened. Tilttable for best servicing access.

Brakes

Type	Dual circuit hydraulic braking system supplied from a separate gear pump, actuated by combined inch brake pedal
Operating brakes	Pedal actuated wet multi-disc brakes integrated in both axles
Parking brake	Electrically actuated wet multi-disc brake integrated in front axle, spring actuated, hydraulically released

Hydraulic system

System	Closed center load-sensing system
Hydraulic pump	Variable piston pump
Working pressure (max.)	
Z-bar	206 bar
Tool linkage	270 bar
Max. pump flow	160 l/min
No. of boom/bucket cylinders	2/1
Type	Double-action
Bore diameter × stroke	
Boom cylinder (Z-bar)	110 × 628 mm
Bucket cylinder (Z-bar)	100 × 452 mm
Boom cylinder (Tool linkage)	110 × 659 mm
Bucket cylinder (Tool linkage)	125 × 450 mm
Hydraulic control lever	Multifunction lever
Hydraulic cycle with rated load bucket filling	
Raise time	5.1 s (Z) / 5.0 s (TL)
Lowering time (empty)	3.6 s (Z) / 3.9 s (TL)
Dumping time	1.1 s (Z) / 1.2 s (TL)

Steering system

System	Articulated frame steering
Type	Hydraulic
Steering angle to either side	40°
Steering pump	Variable piston pump
Working pressure	190 bar
No. of steering cylinders	2
Type	Double-action
Bore diameter × stroke	55 × 375 mm
Smallest turn (outer edge of tyre 17.5 R25)	4700 mm

Environment

Engine emissions	Fully complies with EU Stage V exhaust emission regulations
Noise levels	
LwA external	102 dB(A) (2000/14/EC Stage II)
LpA operator ear	72 dB(A) (ISO 6396 dynamic test)
Vibration levels (EN 12096:1997)	
Hand/arm	$\leq 2.5 \text{ m/s}^2$ (uncertainty K = 0.75 m/s^2)
Body	$\leq 0.5 \text{ m/s}^2$ (uncertainty K = 0.53 m/s^2)
Contains fluorinated greenhouse gas HFC-134a (GWP 1430). Quantity of gas 1.5 kg, CO ₂ equivalent 2.15 t.	

Service refill capacities

Cooling system	18.0 l
Fuel tank	160 l
Engine oil	15.1 l
Hydraulic system	85 l
Front axle (planetary / differential)	2 × 2.1 / 13.0 l
Rear axle (planetary / differential)	2 × 2.1 / 13.0 l
Transfer (20 km/h / 40 km/h)	2.8 / 3.2 l
AdBlue® tank	20 l

Dimensions and performance figures

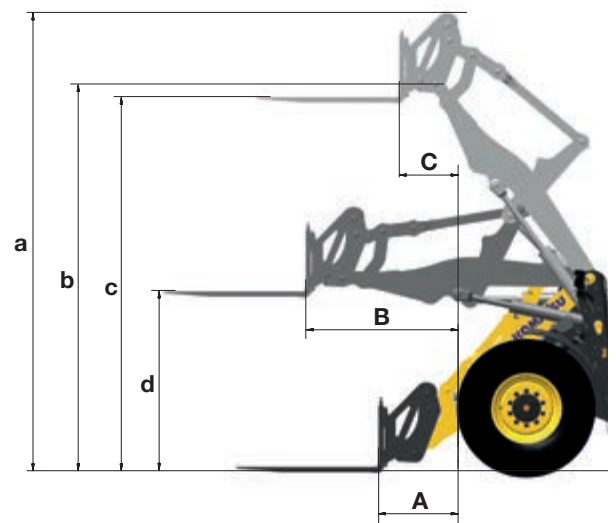
Measurements and working specifications

Boom type		Tool linkage				Z-bar		
Bucket type		Standard w. teeth	Standard w/o teeth	Standard w. BOC	Efficiency* w. teeth	Efficiency* w. BOC	Standard w/o teeth	Standard w. BOC
Bucket capacity (heaped, ISO 7546)	m³	1.60	1.60	1.65	1.65	1.70	1.50	1.60
Material density	t/m ³	1.8	1.8	1.8	1.8	1.8	1.8	1.8
Bucket weight	kg	582	552	616	626	681	533	626
Static tipping load, straight	kg	8000	8000	8000	8100	8100	9000	9000
Static tipping load, 40° articulated	kg	7000	7000	7000	7200	7200	8000	8000
Break-out force hydraulic	kN	79.8	79.8	76.0	75.0	72.0	58.0	55.0
Lifting capability hydr. at ground level	kN	68.4	68.4	65.0	64.0	62.0	70.0	67.0
Operating weight	kg	10220	10190	10255	10520	10575	9485	9580
Turning radius at corner of tyres	mm	4700	4700	4700	4700	4700	4700	4700
Turning radius at bucket edge	mm	5210	5190	5210	5235	5225	5220	5180
a Reach at 45°	mm	820	950	970	990	990	945	970
b Dump height at 45°	mm	2875	2940	2900	2820	2865	2755	2700
c Hinge pin height	mm	3815	3815	3815	3815	3815	3500	3500
d Height top edge of bucket	mm	4880	4880	4880	5025	5025	4540	4540
e Digging depth	mm	120	100	120	100	120	50	70
f Max. loading height at 45°	mm	3410	3410	3410	3410	3390	3190	3190
A Overall length, bucket grounded	mm	6495	6370	6410	6550	6465	6105	6255
B Wheelbase	mm	2600	2600	2600	2600	2600	2600	2600
C Bucket width	mm	2250	2250	2250	2250	2250	2390	2390
D Width over tyres	mm	2190	2190	2190	2190	2190	2190	2190
E Track width	mm	1730	1730	1730	1730	1730	1730	1730
F Ground clearance	mm	430	430	430	430	430	430	430
H Overall height	mm	3000	3000	3000	3000	3000	3000	3000

* with add. counterweight

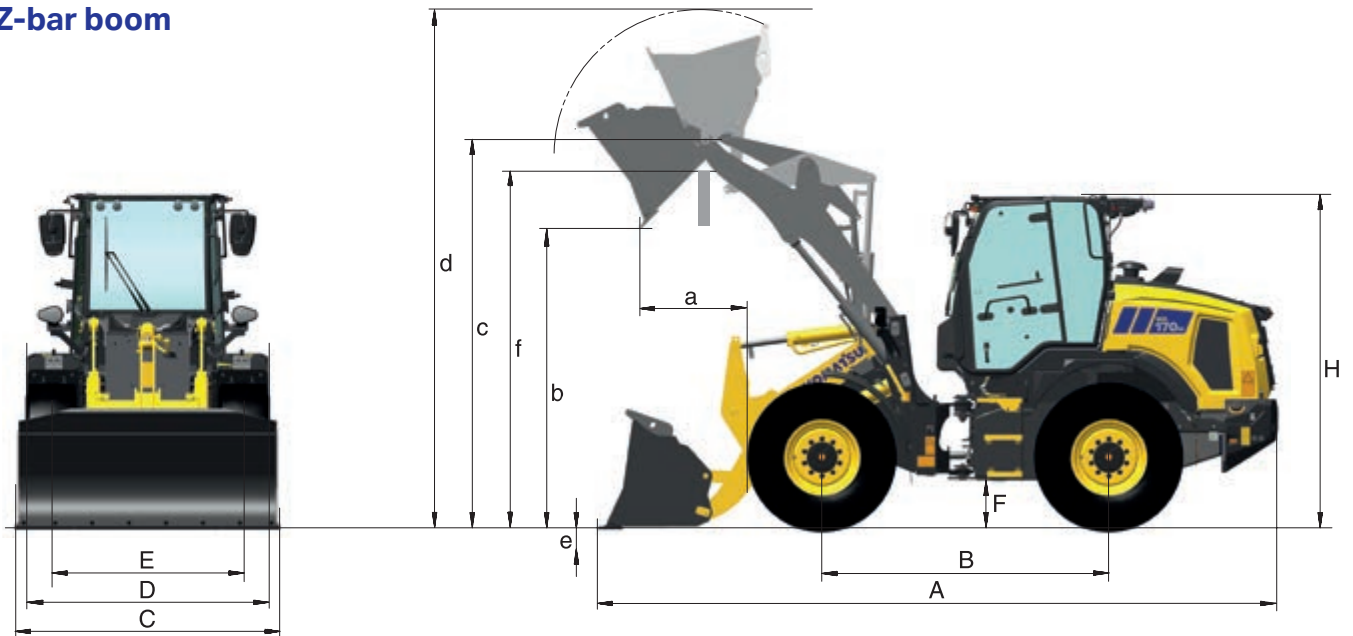
Performance figures with fork tines

Fork tine type		Std
Fork tine length	mm	1400
Fork weight	kg	423
g Max. reach at ground level	mm	780
h Max. reach	mm	1500
j Max. reach at max. stacking height	mm	575
k Max. height fork-carrier	mm	4370
l Hinge pin height	mm	3815
m Max. stacking height	mm	3685
n Height of forks at max. reach	mm	1780
Max. tipping load, straight	kg	6040
Max. tipping load, articulated	kg	5270
Max. payload as per EN 474-3, 80%	kg	4200
Max. payload as per EN 474-3, 60%	kg	3160
Weight in working order with fork tines	kg	10060

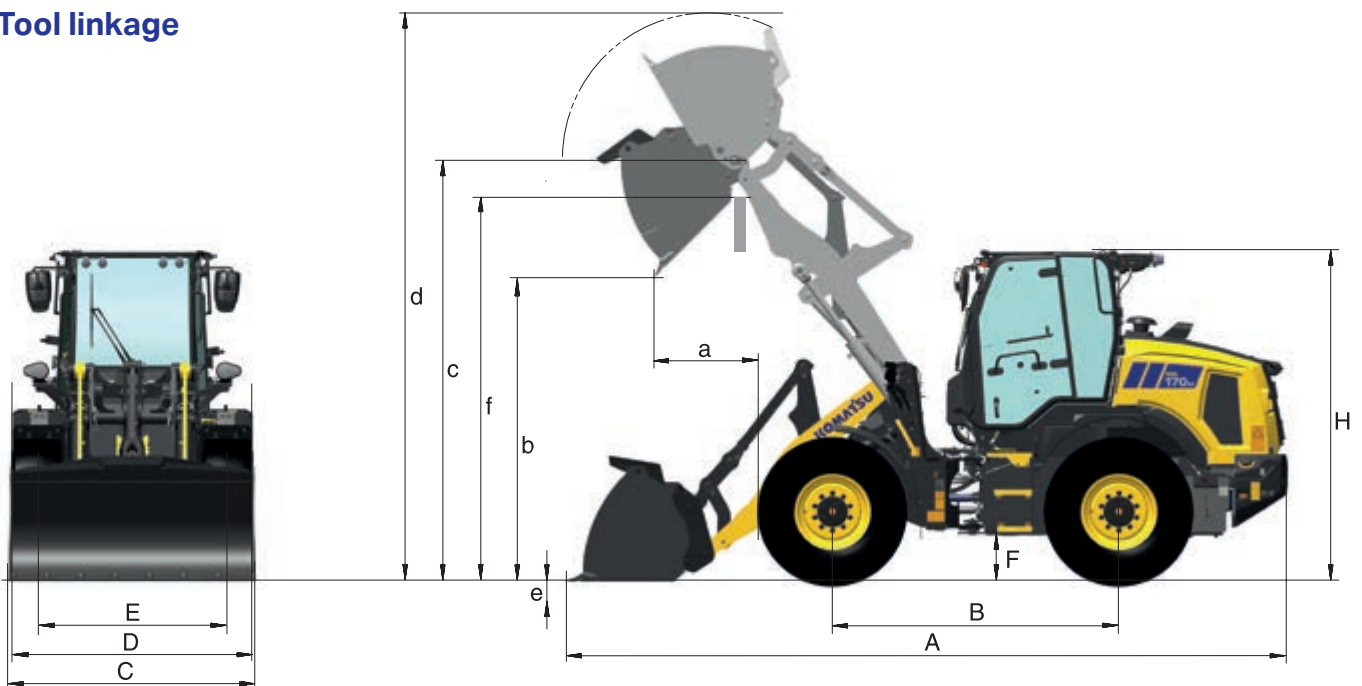


All measurements with tyres 17.5 R25 and air conditioning

Z-bar boom



Tool linkage



Your Komatsu partner:

KOMATSU

[komatsu.eu](https://www.komatsu.eu)

